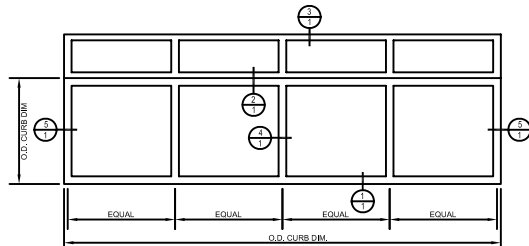
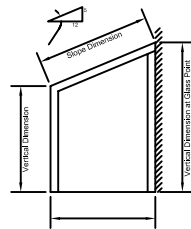


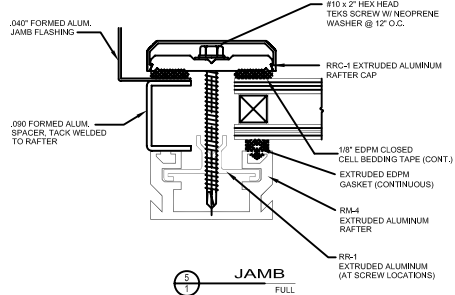
UNIT A
TOP VIEW
3/4" = 1"



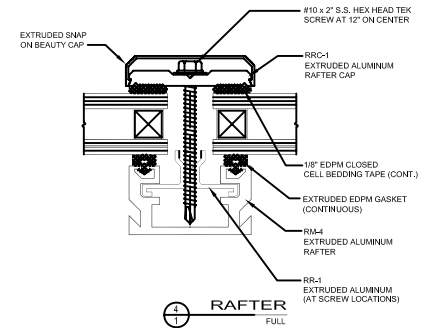
UNIT A
FRONT VIEW
3/4" = 1"



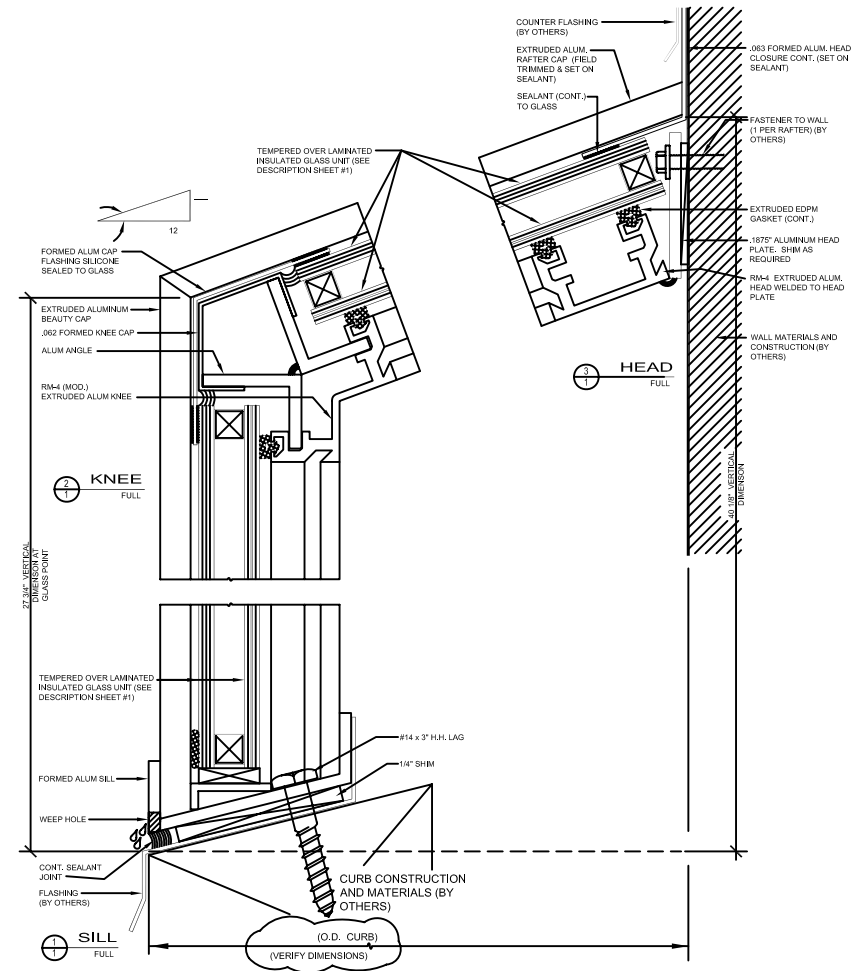
UNIT A
SIDE VIEW
3/4" = 1"



JAMB
FULL



RAFTER
FULL



KNEE
FULL

SILL
FULL

HEAD
FULL