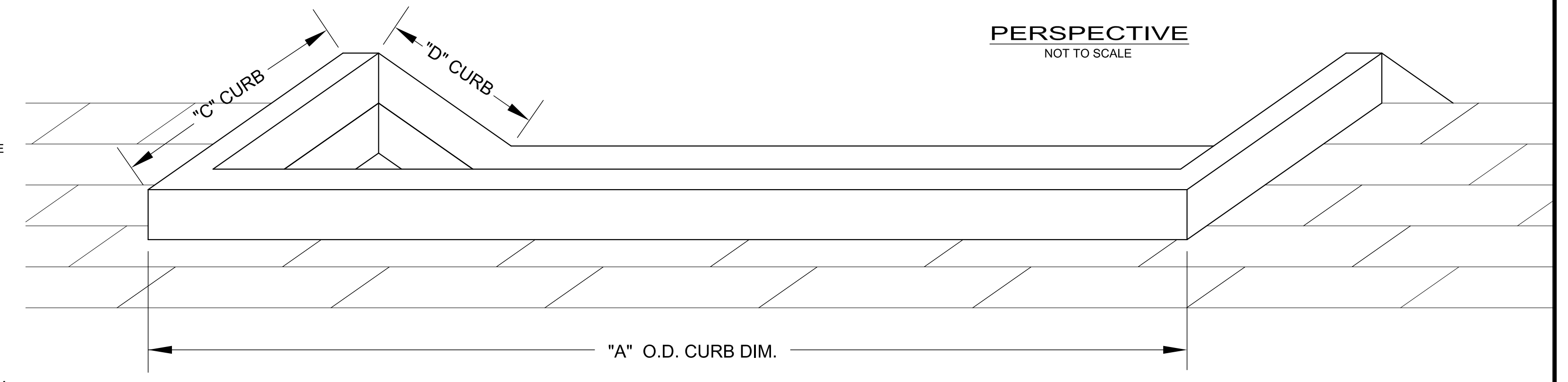
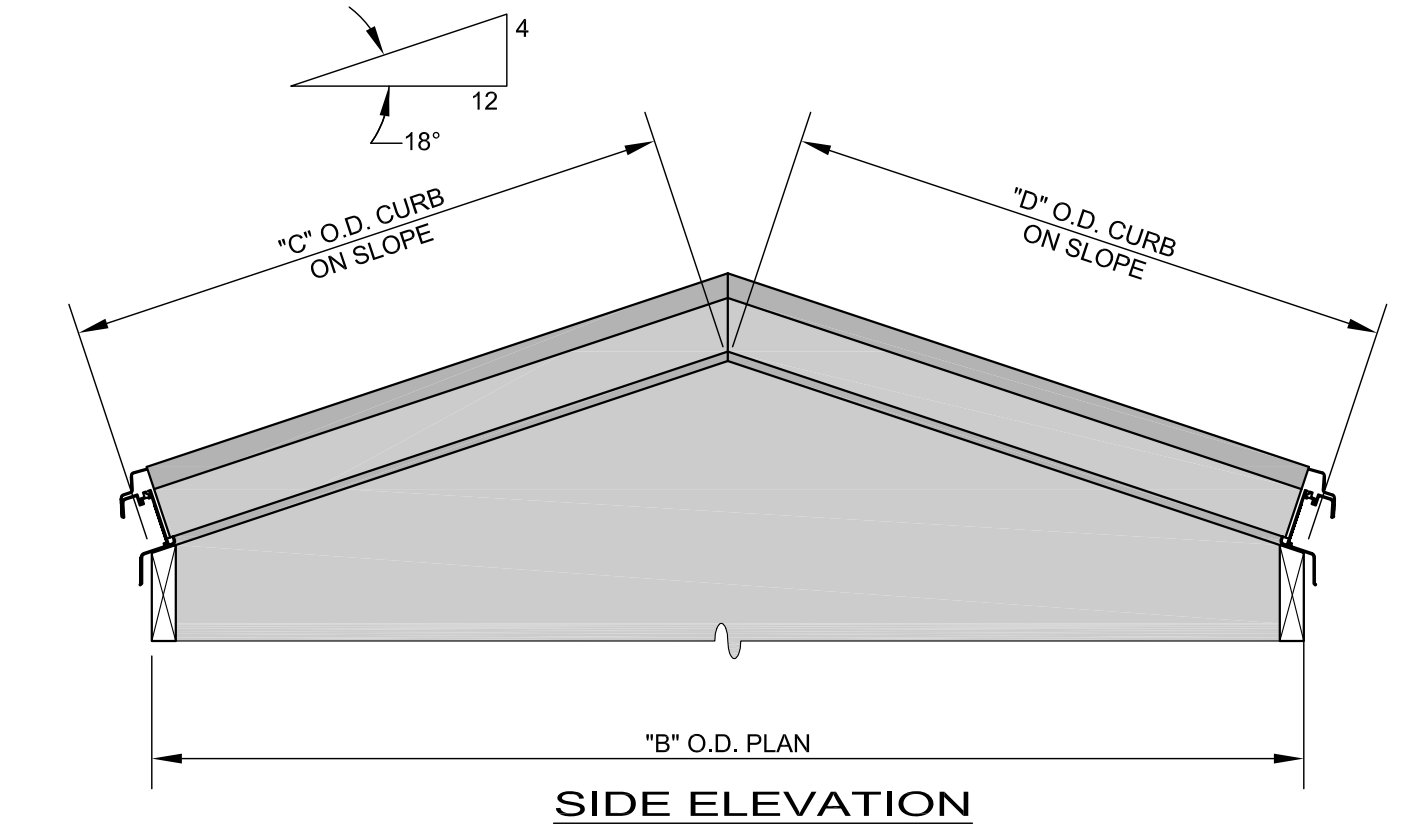


PERSPECTIVE
NOT TO SCALE

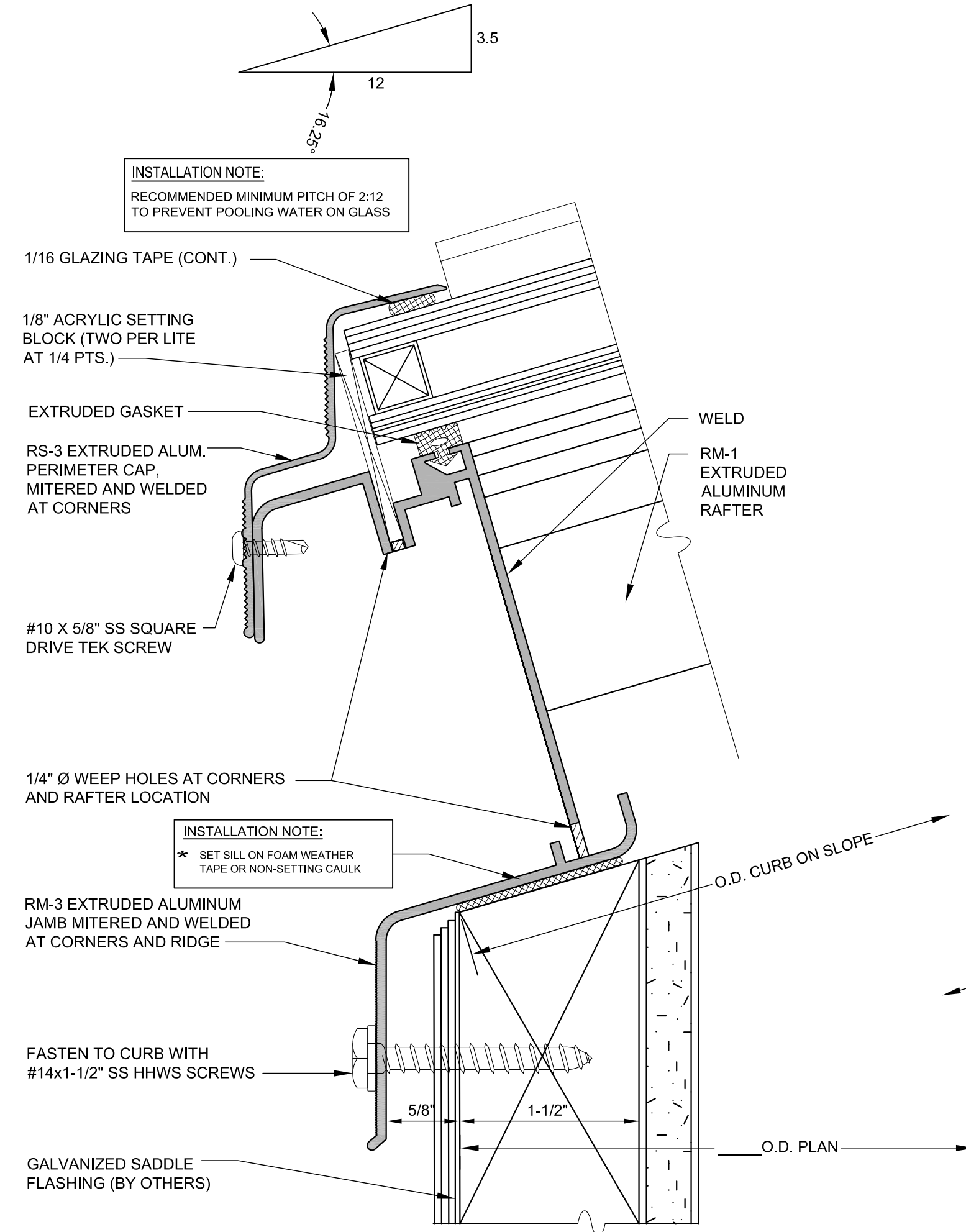


RIDGE SKYLIGHT / PLUMB CURB

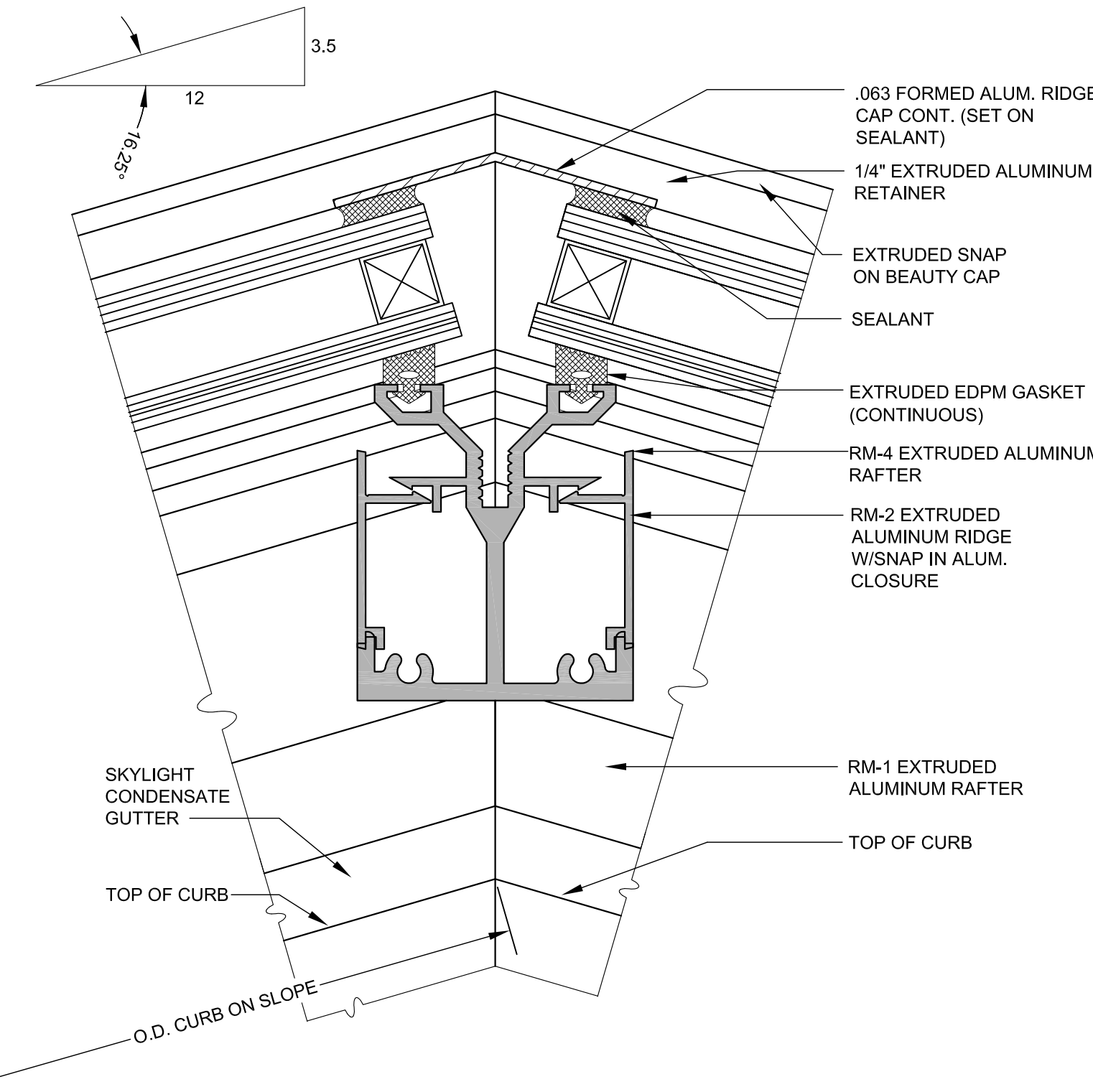
UNIT #			
"A" DIM			
"B" DIM			
"C" DIM			
"D" DIM			
PITCH			



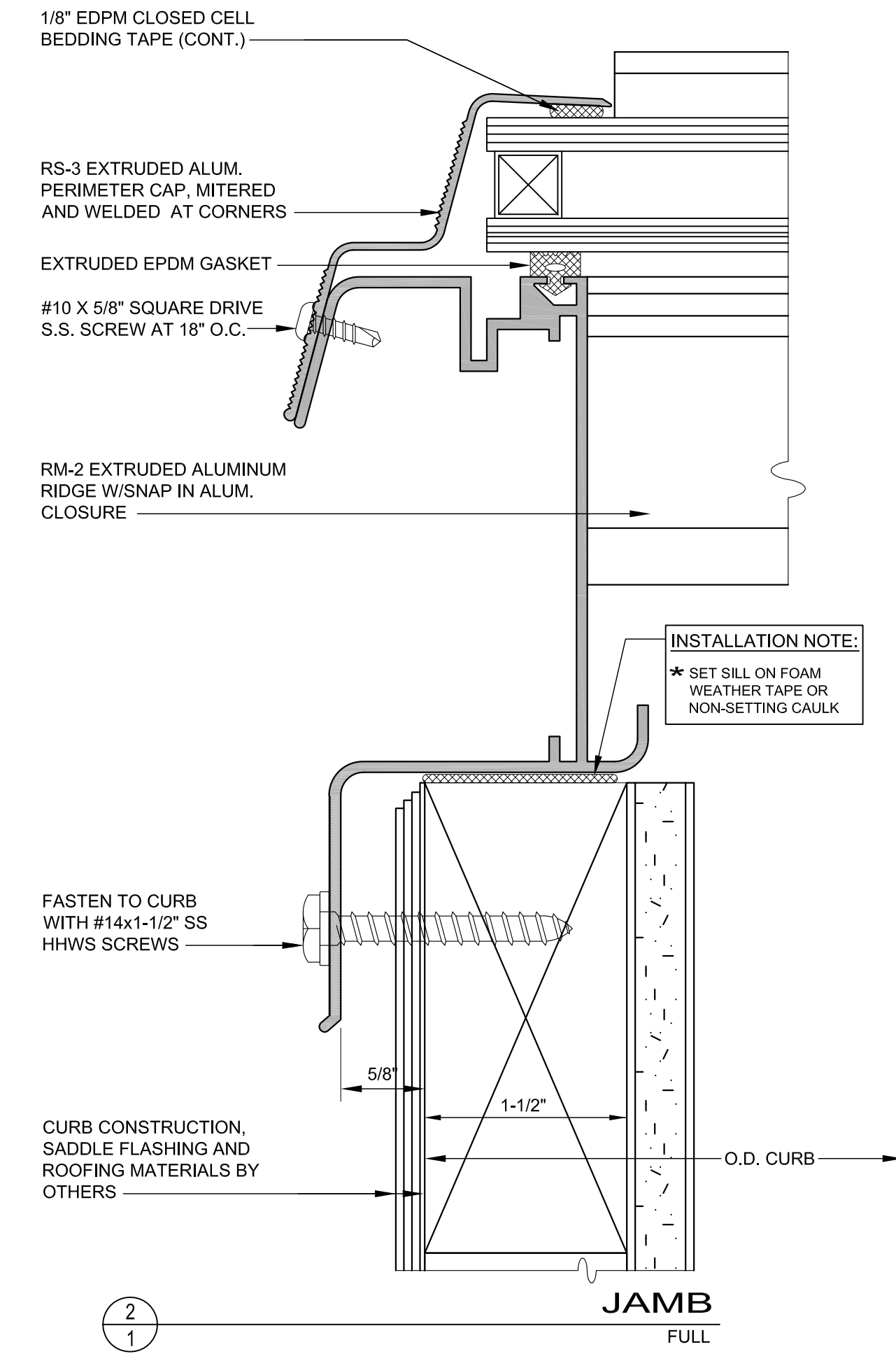
SIDE ELEVATION



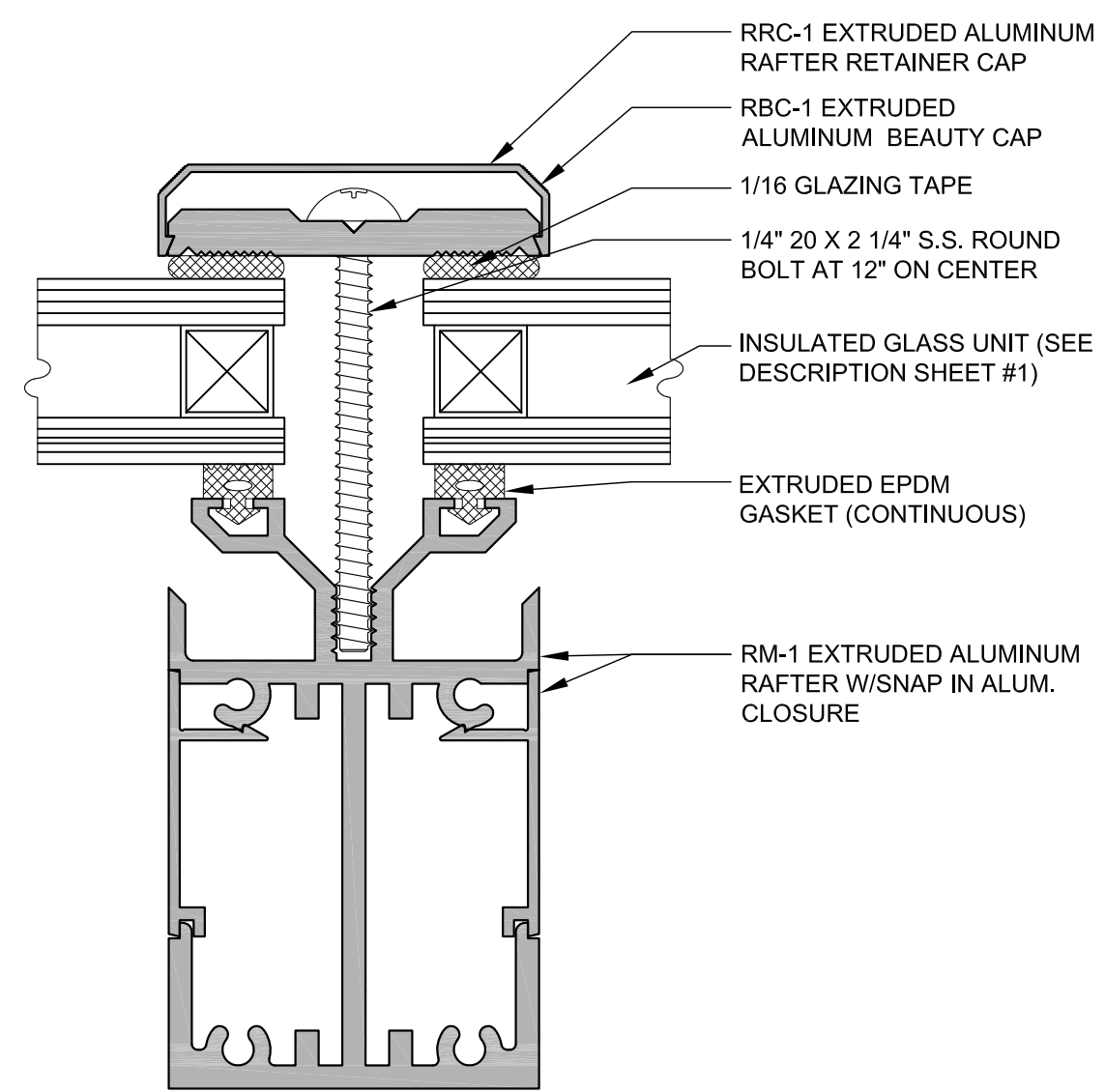
SILL
FULL



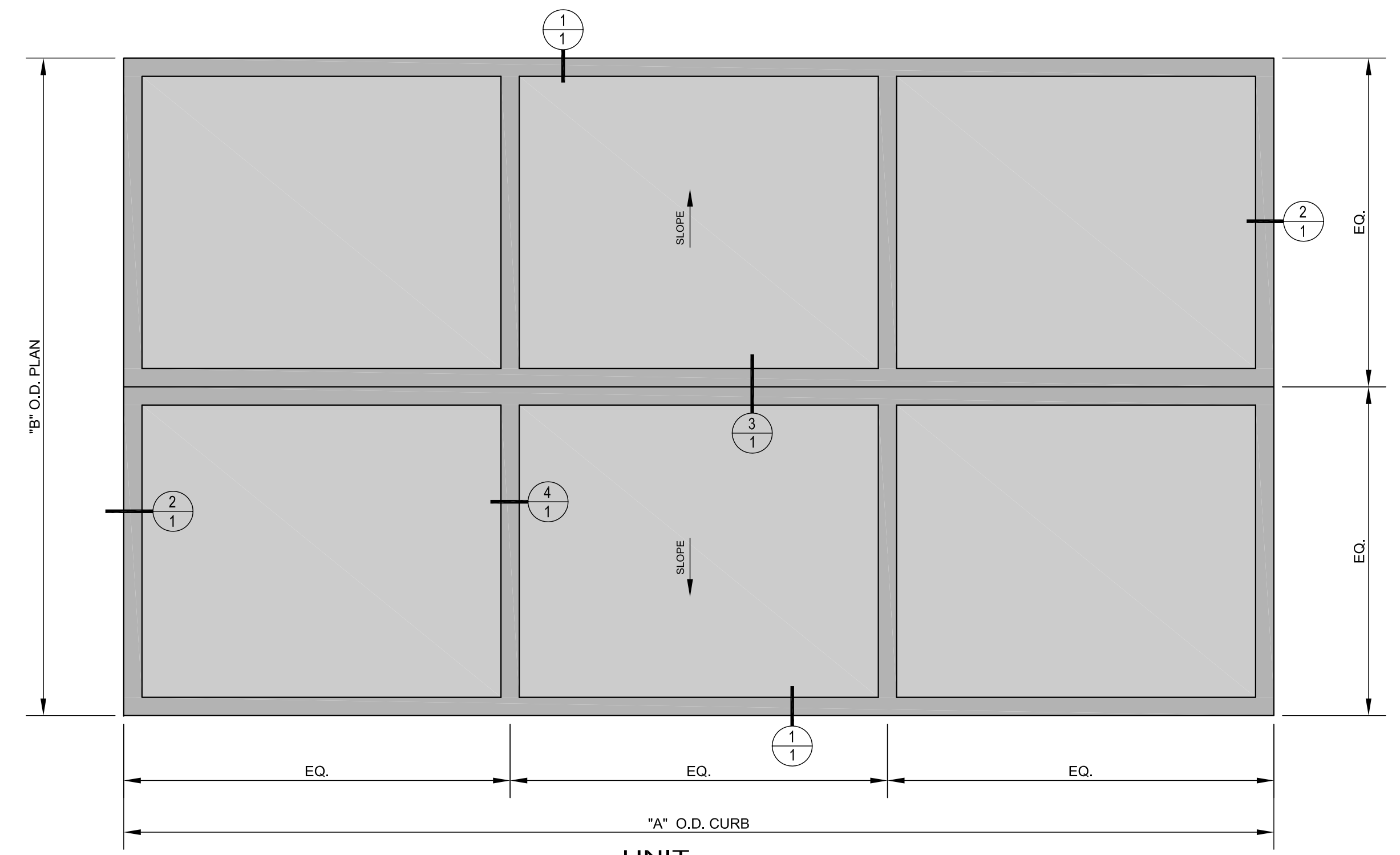
RIDGE
FULL



JAMB
FULL



RAFTER
FULL



UNIT
PLAN VIEW
1" = 1'-0"

SKYLIGHT SCHEDULE							
UNIT	QTY.	TYPE	SLOPE	O.D. CURB DIM. (W x H)	GLASS TYPE	# LITES	GLAZING:
							FINISH:
							COLOR:
							INSTALLATION:
							FIELD GLAZED <input type="checkbox"/> SHOP GLAZED <input type="checkbox"/>



1055 TERMINAL WAY
SAN CARLOS, CA 94070
PHONE: (650) 637-1440
FAX: (650) 637-9770
www.royalite-mfg.com

JOB No. _____
DRAWN BY: _____
DATE: _____

PROJECT NAME: _____
CONTRACTOR: _____ PHONE: _____
REVISOR: _____

SHEET No. _____ of _____
REVISED DATE: _____