

1/2"x1/8" GLAZING TAPE  
 CONTINUOUS SEALANT JOINT  
 RST-3 EXTRUDED ALUMINUM SILL CAP,  
 MITERED AND WELDED AT CORNERS  
 1"X1"X0.125" X 1 1/2" LONG ALUMINUM  
 TEE BONDED W/ 1/16" DOUBLE-SIDED  
 GLAZING TAPE

EPDM GASKET  
 NORTH AMERICAN STANDARD  
 PROGRAM INSULBAR®  
 THERMAL BREAK SHAPE 1953

0.125 CONTINUOUS  
 ALUMINUM STIFFENER -  
 OPERATOR SIDE ONLY

#10 X 5/8" PAN HEAD  
 SCREW AT 18" O.C.

EXTRUDED EPDM  
 HOLLOW GASKET

INSTALLATION NOTE:  
 \* SET SILL ON FOAM  
 WEATHER TAPE OR  
 NON-SETTING CAULK

RST-1 EXTRUDED ALUM.  
 SILL FRAME, MITERED  
 AND WELDED AT CORNERS

GALVANIZED SADDLE  
 FLASHING (BY OTHERS)

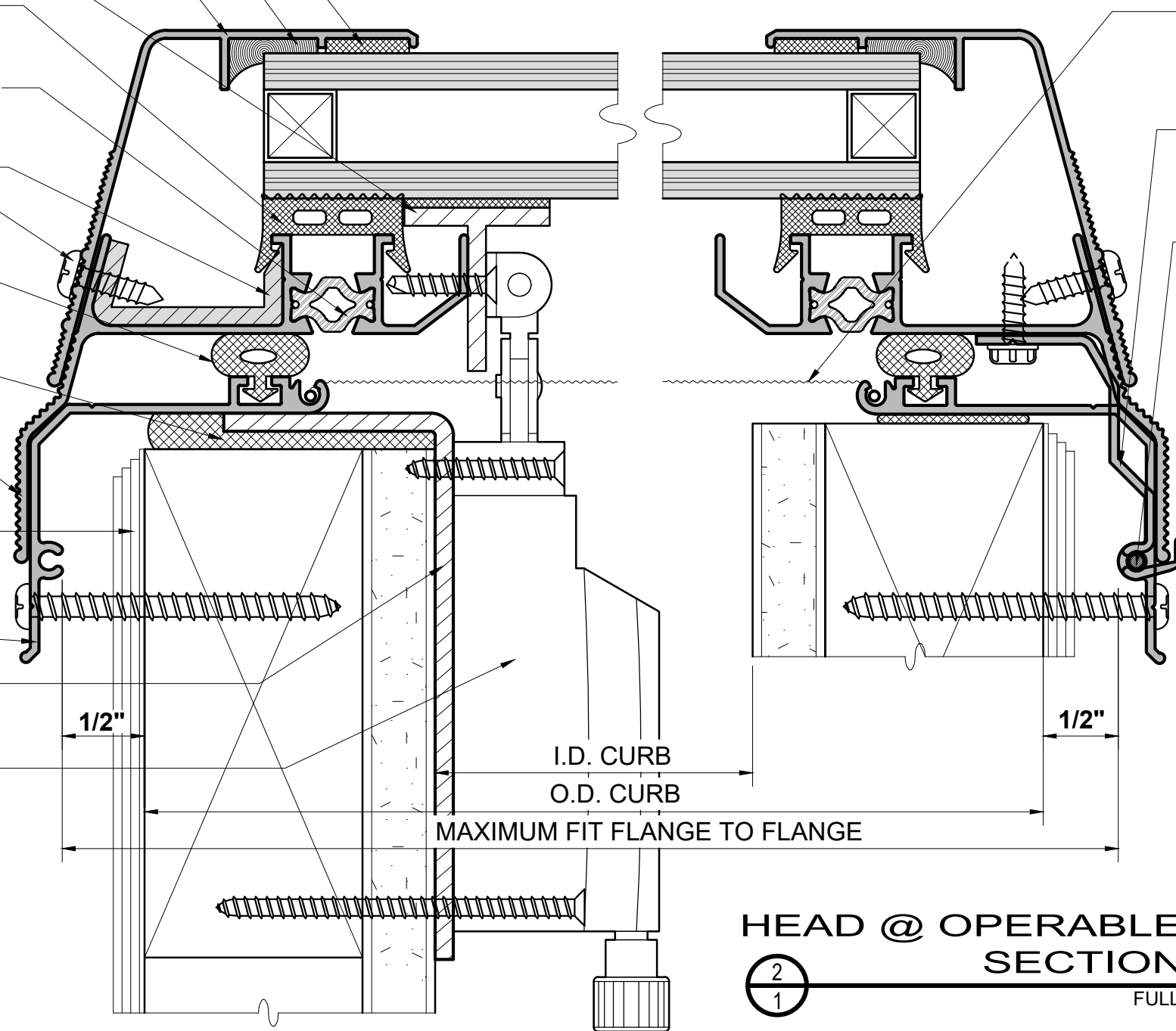
RSO-1 EXTRUDED ALUM.  
 OPERABLE SILL FRAME,  
 MITERED AND WELDED  
 AT CORNERS

0.125 FORMED ALUMINUM  
 OPERATOR BRACKET WELDED  
 TO SILL

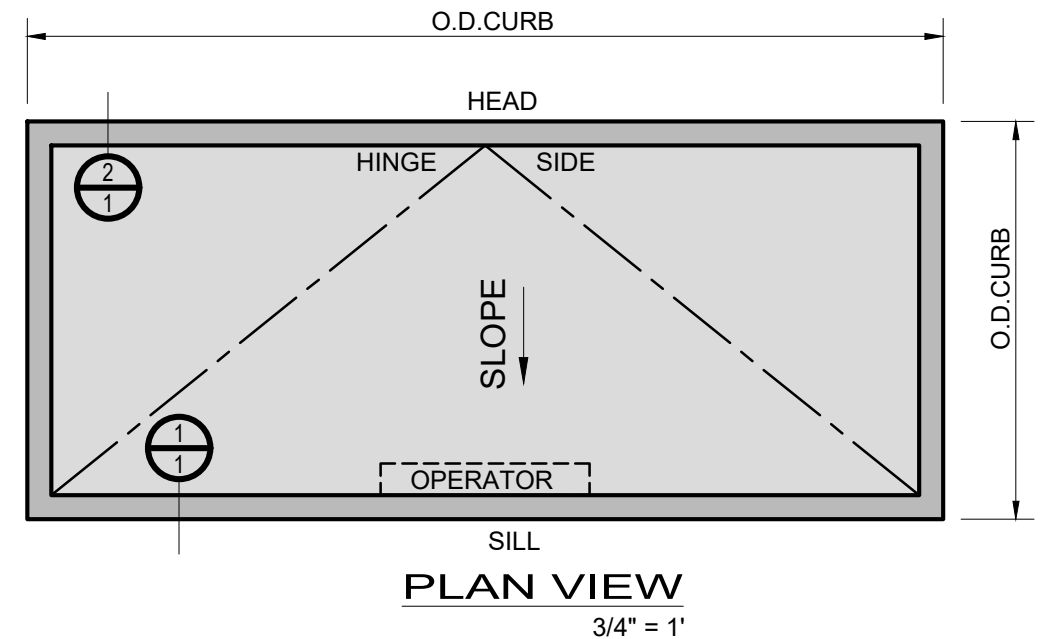
TRUTH MANUAL SKYLIGHT  
 OPERATOR ATTACHED TO  
 0.125 BRACKET W/ (2) #10 X  
 1" FLAT HEAD SCREWS

INSTALLATION NOTE:  
 RECOMMENDED MINIMUM PITCH OF 1:12  
 TO PREVENT POOLING WATER ON GLASS

SKYLIGHT GLAZING SCHEDULE										
UNIT	QTY.	TYPE	SLOPE	O.D. CURB DIM. (W X H)	GLASS TYPE	LIGHT TRANS	U-VALUE	SHGC	# LITES	GLASS MAKE-UP
										FINISH:
										COLOR:
										INSTALLATION:
										FIELD GLAZED <input type="checkbox"/> SHOP GLAZED <input type="checkbox"/>



FIBER GLASS  
 INSECT SCREEN  
 W/.090 SCREEN  
 RETAINER SPLINE  
 RSO-2 EXTRUDED  
 ALUM. HINGE, 2"  
 LONG 2 PER HINGE  
 SIDE AT 1/4 POINTS  
 STAINLESS STEEL  
 HINGE PIN



SILL @ OPERABLE  
 SECTION  
 1  
 1  
 FULL

HEAD @ OPERABLE  
 SECTION  
 2  
 1  
 FULL

	1055 TERMINAL WAY SAN CARLOS, CA 94070 PHONE: (650) 637-1440 FAX: (650) 637-9770 www.royalite-mfg.com	JOB No.	PROJECT NAME:	SHEET No.
		DRAWN BY:	LONG-SIDE HINGE SINGLE LIGHT OPERABLE INSTALLATION DIAGRAM	of
		DATE: 4-3-2018		REVISED DATE: