

THIS SUBMITTAL HAS BEEN REVIEWED AND MEETS THE REQUIREMENTS FOR PERFORMANCE WITH THE WORK AND CONTRACT DOCUMENTS.

Royalite

INITIAL DESIGN & CONSTRUCTION UNIT SIZE
 SIGN DATE

APPROVED BY: _____ DATE: _____

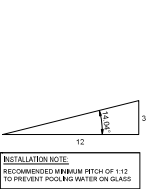
NOTE:

- ALL CURBS AND FLASHING BY OTHERS.
- UNITS ARRIVE PRE-ASSEMBLED AND GLAZED OR WITH FRAMES IN ONE-PIECE OR SECTIONS FOR FIELD GLAZING AND CANNOT BE DISASSEMBLED OR KNOCKED DOWN.
- ALL MATERIALS FOR FIELD GLAZING AND INSTALLATION I.E. FOAM TAPE, NON-SETTING SEALANT, STRUCTURAL SEALANT, S.S. LAGS W/ BONDED WASHERS ETC, PROVIDED BY G.C. OR GLAZING CONTRACTOR UNLESS INSTALLATION IS BY ROYALITE.
- MINIMUM RECOMMENDED ROOF PITCH TO MINIMIZE POOLED WATER AND DIRT-LINE AT LOW SIDE IS 3:12

12 3
 UNIT PITCH LESS THAN 3:12

90°
 30°

PERPENDICULAR TO ROOF SLOPE OR PLUMB TO GROUND
CURB TYPE DIAGRAM



INSTALLATION NOTE:
 RECOMMENDED MINIMUM PITCH OF 1:12 TO PREVENT POOLING WATER ON GLASS

RSO-1 EXTRUDED ALUMINUM OPERABLE SILL FRAME, MITERED AND WELDED AT CORNERS

RAIN SENSOR MOUNTED TO RSO-1 - SENSOR UNDER SASH IN CLOSED POSITION

RAIN SENSOR WIRING PASSES THROUGH GROMMET, PASSES UNDER UNIT AND IS CONNECTED TO OPERATOR TERMINAL BLOCK

SOLAR PANEL WIRING PASSES THROUGH GROMMET, PASSES UNDER UNIT WITH RAIN SENSOR WIRING AND IS CONNECTED TO OPERATOR TERMINAL BLOCK

SOLAR PANEL

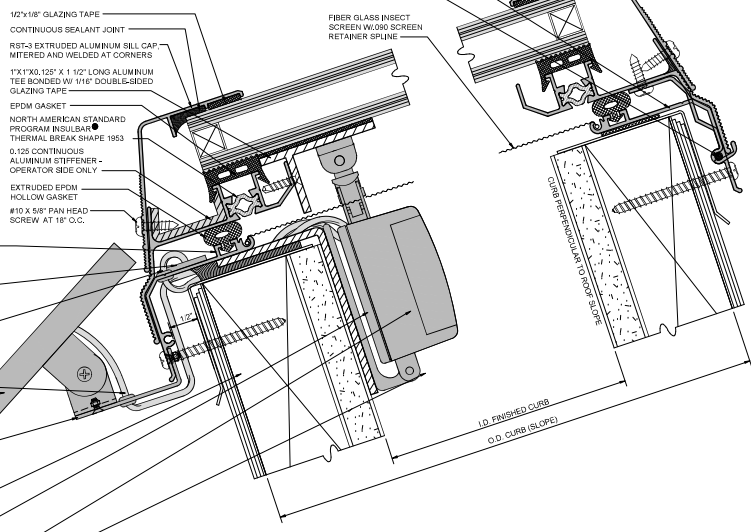
SOLAR PANEL BRACKET - 0.090" ALUMINUM BRACKET RIVETED TO RSO-1 COLOR MATCHED TO FRAME. ALL STAINLESS HARDWARE

SKYLIGHT CURBS

0.125 FORMED ALUMINUM OPERATOR BRACKET WELDED TO SILL

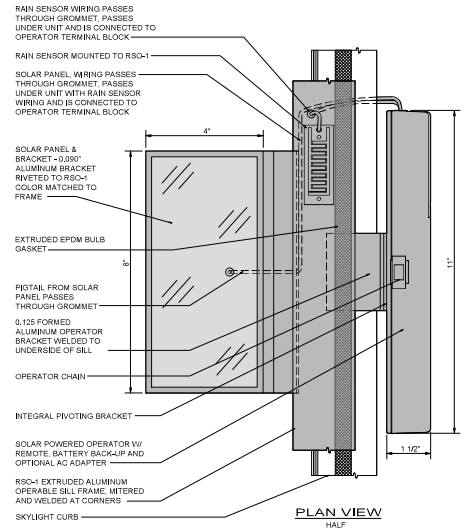
SOLAR POWERED OPERATOR W/ REMOTE, BATTERY BACKUP AND OPTIONAL AC ADAPTER

INTEGRAL PIVOTING BRACKET



SILL @ OPERABLE SECTION

HEAD @ OPERABLE SECTION



PLAN VIEW HALF

SKYLIGHT SCHEDULE					GLAZING SCHEDULE					
UNIT	QTY.	TYPE	SLOPE	O.D. CURB DIM. (W.X.H)	GLASS TYPE	LIGHT TRANS.	U-VALUE	SHGC	# LITES	GLASS MAKE-UP
A										FINISH:
										COLOR:
										INSTALLATION:
										FIELD GLAZED <input type="checkbox"/> SHOP GLAZED <input type="checkbox"/>

Royalite

1055 TERMINAL WAY
 SAN CARLOS, CA 94070
 PHONE: (650) 637-1440
 FAX: (650) 637-9770
 www.royalite-mfg.com

JOB No. _____ PROJECT NAME: _____
 DRAWN BY: _____ SOLAR OPERABLE SKYLIGHT WORKSHEET
 DATE: _____ PERPENDICULAR CURB CONDITION