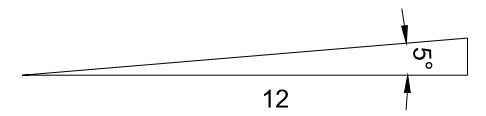


PLAN VIEW

3/4" = 1'



INSTALLATION NOTE:  
RECOMMENDED MINIMUM PITCH OF 1:12  
TO PREVENT POOLING WATER ON GLASS

.125" FORMED ALUMINUM BRACKET

EPDM GASKET

NORTH AMERICAN STANDARD PROGRAM INSULBAR® THERMAL BREAK SHAPE 1953

0.125 CONTINUOUS ALUMINUM STIFFENER - OPERATOR SIDE ONLY

#10 X 5/8" PAN HEAD SCREW AT 18" O.C.

EXTRUDED EPDM HOLLOW GASKET

INSTALLATION NOTE:  
SET SILL ON FOAM WEATHER TAPE OR NON-SETTING CAULK

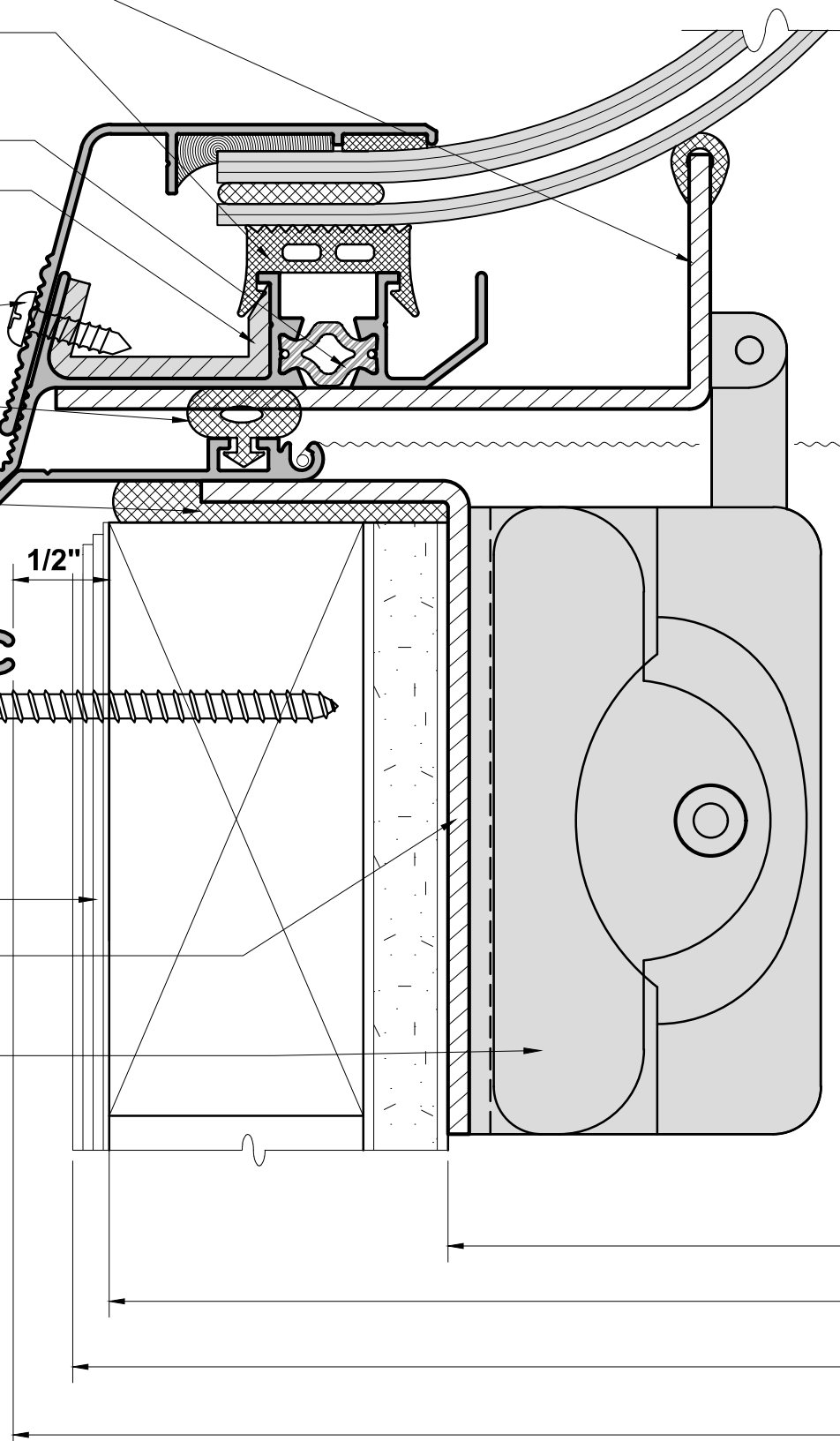
RST-1 EXTRUDED ALUM. SILL FRAME, MITERED AND WELDED AT CORNERS

RSO-1 EXTRUDED ALUM. OPERABLE SILL FRAME, MITERED AND WELDED AT CORNERS

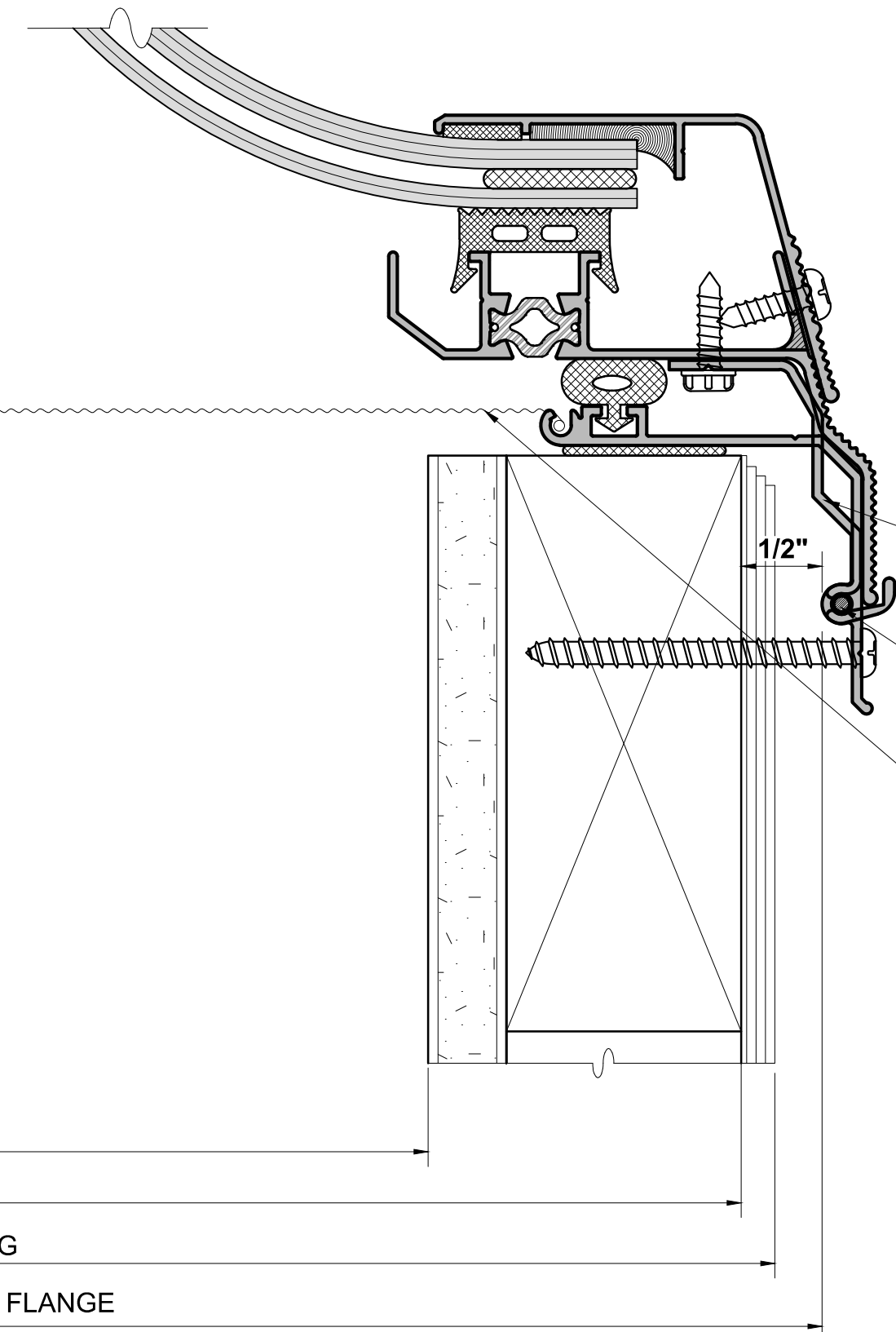
GALVANIZED SADDLE FLASHING (BY OTHERS)

0.125 FORMED ALUMINUM OPERATOR BRACKET WELDED TO SILL

ELECTRIC SKYLIGHT OPERATOR (SHOP RIVETED TO ALUM. RAISED OPERABLE SECTION)



1 SILL @ OPERABLE SECTION FULL



2 HEAD @ OPERABLE SECTION FULL

RSO-2 EXTRUDED ALUM. HINGE, 2" LONG 2 PER HINGE SIDE AT 1/4 POINTS

STAINLESS STEEL HINGE PIN

FIBER GLASS INSECT SCREEN W/.090 SCREEN RETAINER SPLINE

I.D. FINISHED CURB

O.D. CURB

O.D. CURB + ROOFING

MAXIMUM FIT FLANGE TO FLANGE