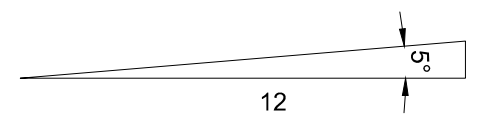
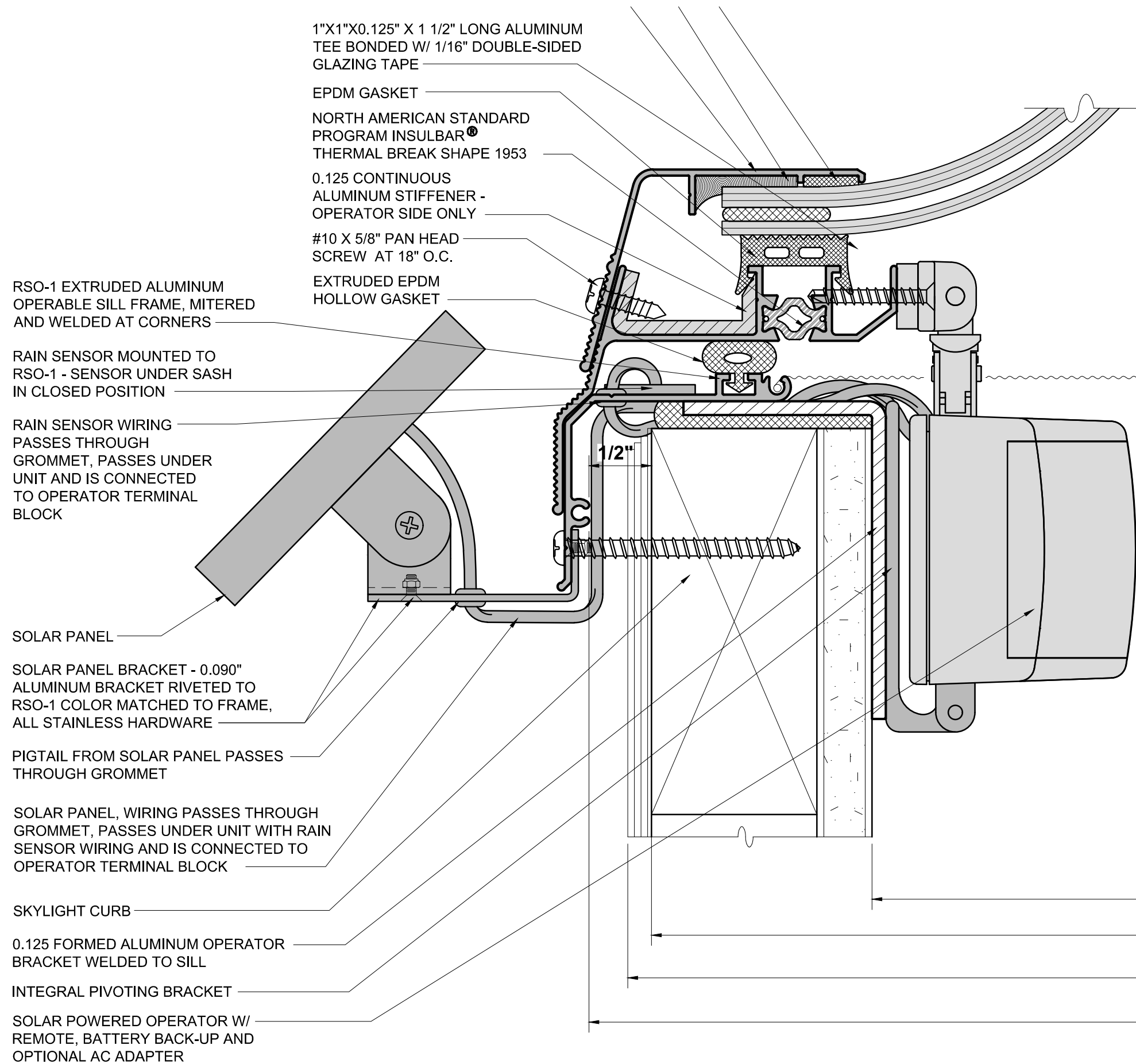


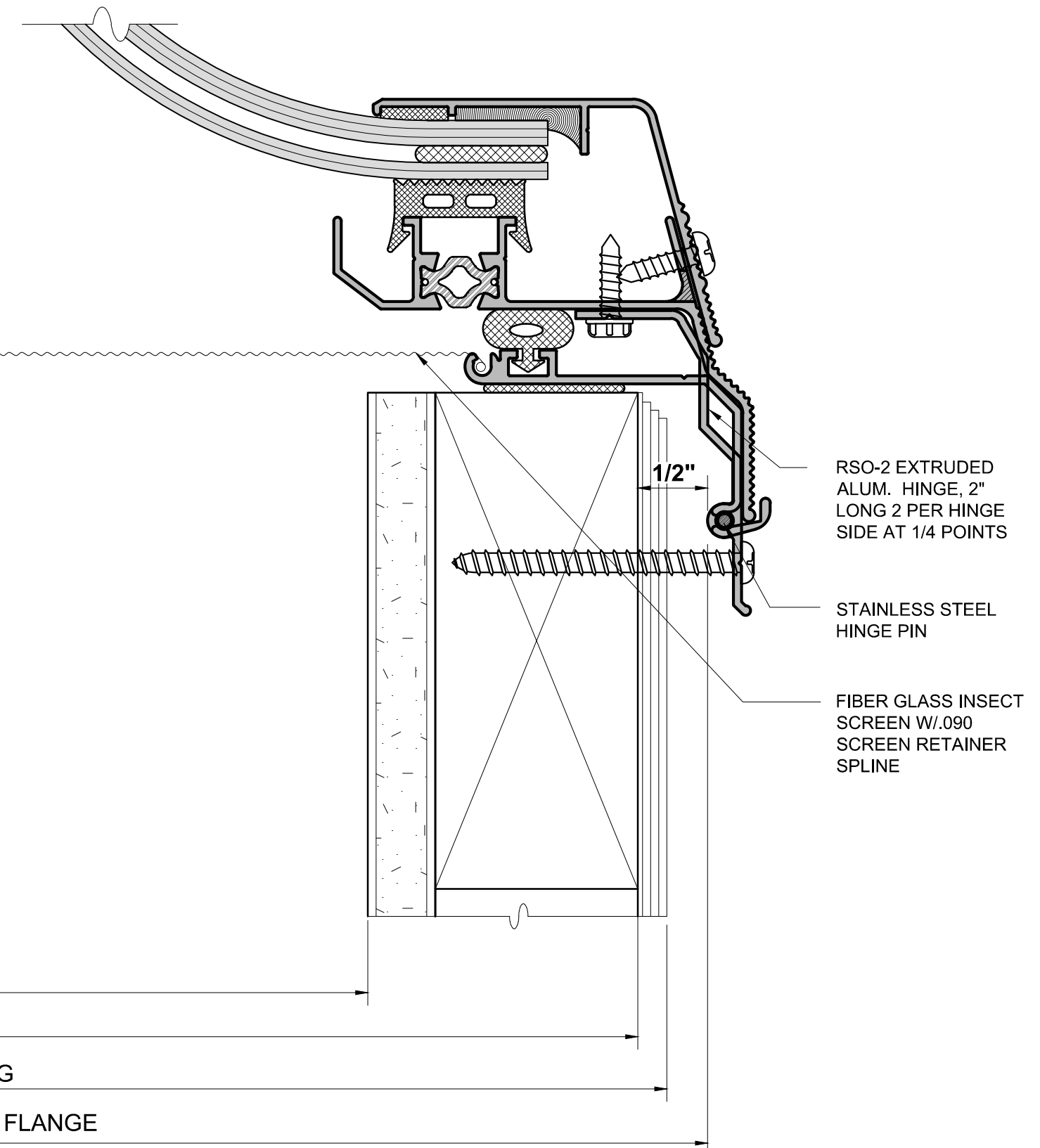
**PLAN VIEW**  
3/4" = 1'



**INSTALLATION NOTE:**  
RECOMMENDED MINIMUM PITCH OF 1:12  
TO PREVENT POOLING WATER ON GLASS



**1 SILL @ OPERABLE SECTION**  
FULL



**2 HEAD @ OPERABLE SECTION**  
FULL

- 1"X1"X0.125" X 1 1/2" LONG ALUMINUM TEE BONDED W/ 1/16" DOUBLE-SIDED GLAZING TAPE
- EPDM GASKET
- NORTH AMERICAN STANDARD PROGRAM INSULBAR® THERMAL BREAK SHAPE 1953
- 0.125 CONTINUOUS ALUMINUM STIFFENER - OPERATOR SIDE ONLY
- #10 X 5/8" PAN HEAD SCREW AT 18" O.C.
- EXTRUDED EPDM HOLLOW GASKET
- RSO-1 EXTRUDED ALUMINUM OPERABLE SILL FRAME, MITERED AND WELDED AT CORNERS
- RAIN SENSOR MOUNTED TO RSO-1 - SENSOR UNDER SASH IN CLOSED POSITION
- RAIN SENSOR WIRING PASSES THROUGH GROMMET, PASSES UNDER UNIT AND IS CONNECTED TO OPERATOR TERMINAL BLOCK
- SOLAR PANEL
- SOLAR PANEL BRACKET - 0.090" ALUMINUM BRACKET RIVETED TO RSO-1 COLOR MATCHED TO FRAME, ALL STAINLESS HARDWARE
- PIGTAIL FROM SOLAR PANEL PASSES THROUGH GROMMET
- SOLAR PANEL, WIRING PASSES THROUGH GROMMET, PASSES UNDER UNIT WITH RAIN SENSOR WIRING AND IS CONNECTED TO OPERATOR TERMINAL BLOCK
- SKYLIGHT CURB
- 0.125 FORMED ALUMINUM OPERATOR BRACKET WELDED TO SILL
- INTEGRAL PIVOTING BRACKET
- SOLAR POWERED OPERATOR W/ REMOTE, BATTERY BACK-UP AND OPTIONAL AC ADAPTER

- RSO-2 EXTRUDED ALUM. HINGE, 2" LONG 2 PER HINGE SIDE AT 1/4 POINTS
- STAINLESS STEEL HINGE PIN
- FIBER GLASS INSECT SCREEN W/.090 SCREEN RETAINER SPLINE

- I.D. FINISHED CURB
- O.D. CURB
- O.D. CURB + ROOFING
- MAXIMUM FIT FLANGE TO FLANGE